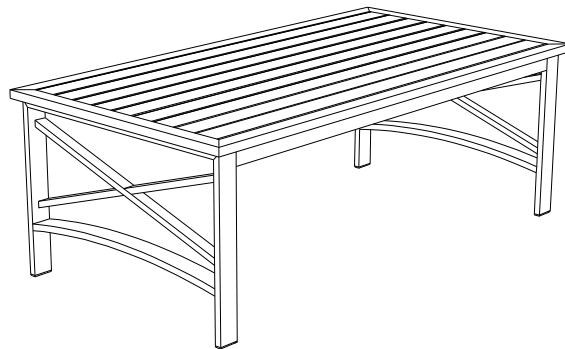
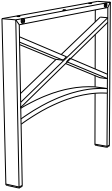
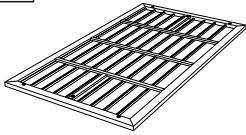
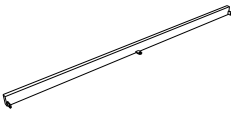




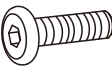
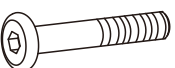


Outdoor Coffee Table
CO6207



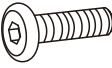
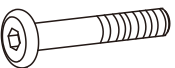

PART LIST

A 	B 	C 
Side Panel 2 PCS	Top Panel 1 PC	Rail 2 PCS

HARDWARE LIST

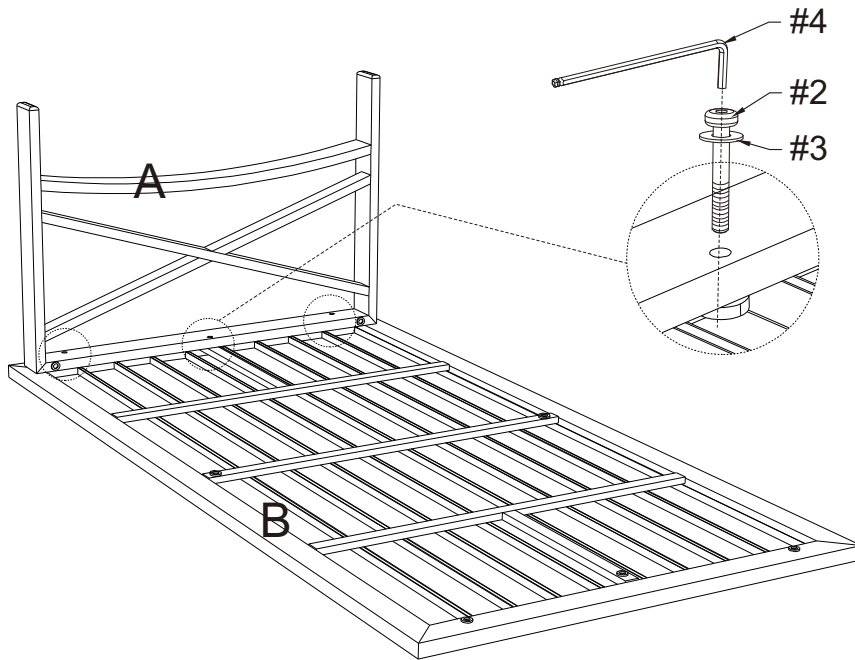
#1 	#2 	#3 	#4 
M6*15mm Short Bolt 6 PCS	M6*30mm Long Bolt 6 PCS	M6*45mm Flat Washer 12 PCS	M6 Allen Wrench 1 PC




EXTRA HARDWARE LIST

#1 	#2 	#3 
M6*15mm Short Bolt 1 PC	M6*30mm Long Bolt 1 PC	M6*45mm Flat Washer 1 PC

Step 1. Lay top panel (part B) down on a soft flat surface, such as carpet, as shown below. Attach side panel (part A) to top panel (part B) using long bolts (part #2), flat washers (part #3) and allen wrench (part #4).

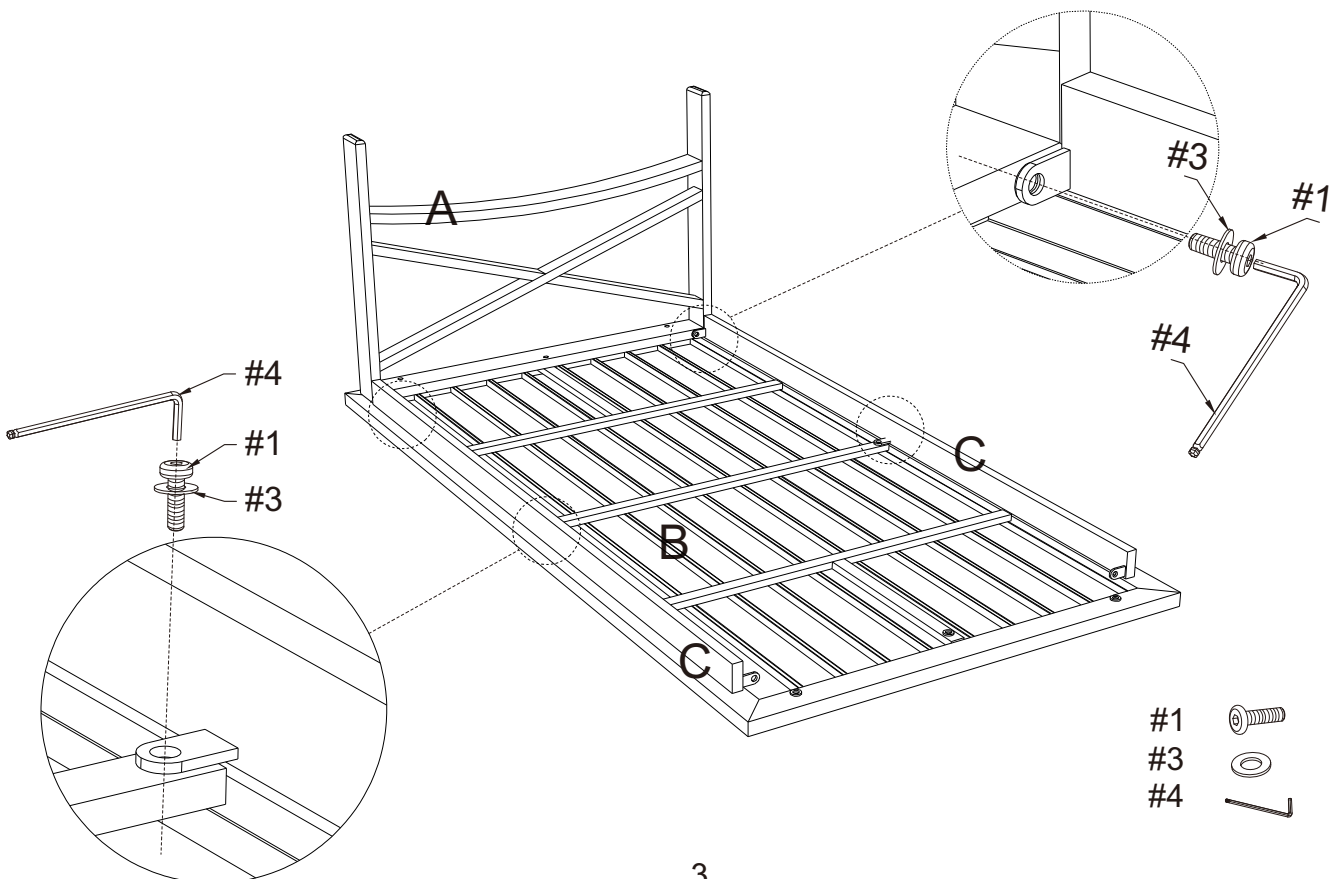
NOTE: Please do not fully tighten bolts until unit is fully assembled.






- | | | |
|----|---|----|
| #2 |  | x3 |
| #3 |  | x3 |
| #4 |  | x1 |

Step 2. Attach rails (part C) to side panel (part A) and top panel (part B) using short bolts (part #1), flat washers (part #3) and allen wrench (part #4).

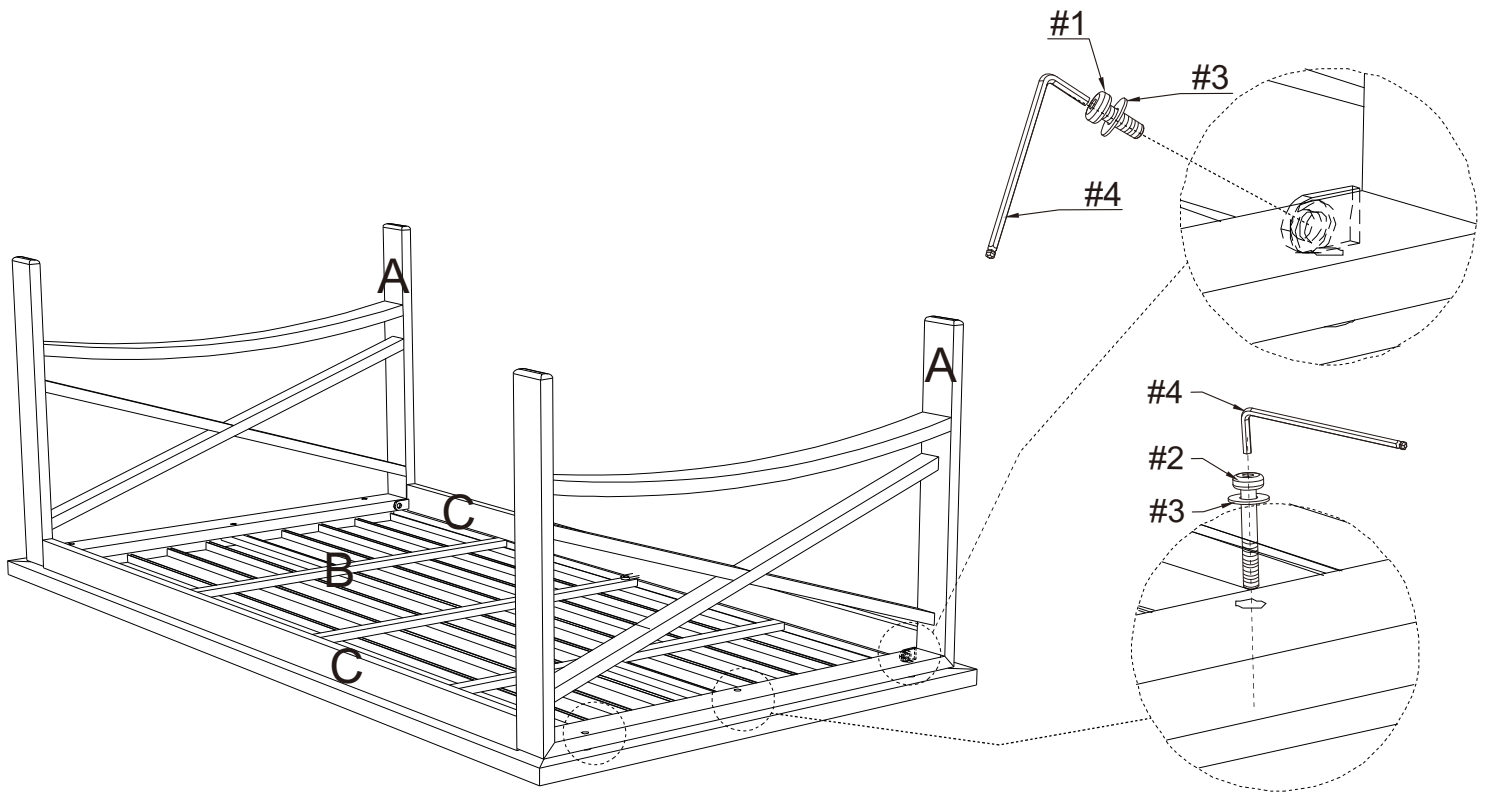
NOTE: Please do not fully tighten bolts until unit is fully assembled.







- | | | |
|----|---|----|
| #1 |  | x4 |
| #3 |  | x4 |
| #4 |  | x1 |

Step 3. Attach side panel (part A) to top panel (part B) and rails (part C) using short bolts (part #1), long bolts (part #2), flat washers (part #3) and allen wrench (part #4).

NOTE: Please fully tighten all bolts at this time.



- | | | |
|----|---|----|
| #1 |  | x2 |
| #2 |  | x3 |
| #3 |  | x5 |
| #4 |  | x1 |

Step 4. Carefully turn unit upright.

